

## MEMS digital output motion sensor

### low-power high performance 3-axes “DSC-XYZ” accelerometer

#### Key Features

- Supply voltage, 1.62V to 3.6V
- For 2x2x0.9 mm LGA-12 package
- User selectable range,  $\pm 2g$ ,  $\pm 4g$ ,  $\pm 8g$ ,  $\pm 16g$
- User selectable data output rate
- Digital I<sup>2</sup>C output interface
- 14 bit resolution
- Low power consumption
- 1 Programmable interrupt generators with independent function for motion detection
- Factory programmable offset and sensitivity
- RoHS compliant

#### Applications

- User interface for mobile phone and PMP
- Gesture recognition
- Active monitoring
- Power management
- Vibration monitoring



#### Product Overview

The da215 sensor is a low power high performance capacitive three-axis linear accelerometer developed by micro-machined technology. The device is available in a 2x2x0.9 mm land grid array (LGA) and it is guaranteed to operate over an extended temperature range from -40 °C to +85 °C. The sensor element is fabricated by single crystal silicon with DRIE process and is protected by hermetically sealed silicon cap from the environment. The device features user selectable full scale of  $\pm 2g$ /  $\pm 4g$ /  $\pm 8g$ /  $\pm 16g$  measurement range with data output rate from 1Hz to 1 kHz with signal condition, active detection imbedded. The da215 has a power-down mode that makes it good for handset power management. One independent and flexible interrupts provided greatly simplify the algorithm for various motion status detections. Standard I<sup>2</sup>C interface is used to communicate with the chip.

# Content

1.	Block diagram and pin description .....	7
1.1.	Block diagram .....	7
1.2.	Pin description .....	7
2.	Mechanical and electrical specifications .....	9
2.1.	Mechanical characteristics.....	9
2.2.	Electrical characteristics .....	10
2.3.	Absolute maximum ratings.....	10
3.	Communication interface .....	11
3.1.	Communication interface Electrical specification.....	11
3.1.1.	I2C Electrical specification .....	11
3.2.	Digital interface operation.....	12
3.2.1.	I2C Operation .....	12
4.	Terminology and functionality .....	14
4.1.	Terminology .....	14
4.1.1.	Sensitivity.....	14
4.1.2.	Zero-g level .....	14
4.2.	Functionality.....	14
4.2.1.	Power mode.....	14
4.2.2.	Sensor data .....	15
4.2.3.	Factory calibration.....	15
4.3.	Interrupt controller .....	15
4.3.1.	General features.....	15
4.3.2.	Mapping.....	16
4.3.3.	Electrical behavior (INT to open-drive or push-pull).....	16
4.3.4.	New data interrupt.....	17
4.3.5.	Active detection.....	17
5.	Application hints .....	18
6.	Register mapping.....	19
7.	Registers description .....	20
7.1.	CONFIG (00H).....	20
7.2.	CHIPID (01h).....	20
7.3.	ACC_X_LSB (02H), ACC_X_MSB (03H) .....	20
7.4.	ACC_Y_LSB (04H), ACC_Y_MSB (05H) .....	21
7.5.	ACC_Z_LSB (06H), ACC_Z_MSB (07H) .....	21
7.6.	MOTION_FLAG (09H) .....	21
7.7.	NEWDATA_FLAG (0AH).....	22
7.8.	ACTIVE_STATUS (0BH).....	22
7.9.	RANGE (0FH) .....	22
7.10.	ODR_AXIS (10H).....	23
7.11.	MODE_BW (11H) .....	23
7.12.	SWAP_POLARITY (12H) .....	24
7.13.	INT_SET1 (16H).....	24

---

7.14.	INT_SET2 (17H).....	25
7.15.	INT_MAP1 (19H) .....	25
7.16.	INT_MAP2 (1AH) .....	25
7.17.	INT_CONFIG (20H).....	26
7.18.	INT_LATCH (21H).....	26
7.19.	ACTIVE_DUR (27H) .....	27
7.20.	ACTIVE_THS (28H) .....	27
8.	Package information.....	28
8.1.	Outline dimensions.....	28
8.2.	Landing pattern recommendation.....	29
8.3.	Tape and reel specification .....	30
9.	Reliability .....	31
10.	Revision history.....	32

## List of tables

Table 1.Pin description .....	8
Table 2.Mechanical characteristic .....	9
Table 3.Electrical characteristics.....	10
Table 4.Absolute maximum ratings .....	10
Table 5.Electrical specification of the I2C interface pins .....	11
Table 6.The interface pins.....	12
Table 7.I2C Address .....	12
Table 8.SAD+Read/Write patterns .....	12
Table 9.Transfer when master is writing one byte to slave.....	13
Table 10.Transfer when master is writing multiple bytes to slave .....	13
Table 11.Transfer when master is receiving (reading) one byte of data from slave .....	13
Table 12.Transfer when master is receiving (reading) multiple bytes of data from slave.....	13
Table 13.Interrupt mode selection .....	15
Table 14.Register address map .....	19
Table 15.CONFIG register.....	20
Table 16.CONFIG description.....	20
Table 17.CHIPID register .....	20
Table 18.ACC_X_LSB register .....	20
Table 19.ACC_X_MSB register .....	20
Table 20.ACC_Y_LSB register .....	21
Table 21.ACC_Y_MSB register .....	21
Table 22.ACC_Z_LSB register .....	21
Table 23.ACC_Z_MSB register .....	21
Table 24.MOTION_FLAG register.....	21
Table 25.MOTION_FLAG register description.....	21
Table 26.NEWDATA_FLAG register .....	22
Table 27.NEWDATA_FLAG register description .....	22
Table 28.ACTIVE_STATUS register .....	22
Table 29.ACTIVE_STATUS register description .....	22
Table 30.RANGE register.....	22
Table 31.RANGE register description.....	22
Table 32.ODR_AXIS register.....	23
Table 33.ODR_AXIS register description.....	23
Table 34.MODE_BW register .....	23
Table 35.MODE_BW register description .....	23
Table 36.SWAP_POLARITY register.....	24
Table 37.SWAP_POLARITY register description.....	24
Table 38.INT_SET1 register .....	24
Table 39.INT_SET1 register description .....	24
Table 40.INT_SET2 register .....	25
Table 41.INT_SET2 register description .....	25
Table 42.INT_MAP1 register .....	25

---

Table 43.INT_MAP1 register description .....	25
Table 44.INT_MAP2 register .....	25
Table 45.INT_MAP2 register description .....	25
Table 46.INT_CONFIG register .....	26
Table 47.INT_CONFIG register description .....	26
Table 48.INT_LATCH register .....	26
Table 49.INT_LATCH register description .....	26
Table 50.ACTIVE_DUR register .....	27
Table 51.ACTIVE_DUR register description.....	27
Table 52.ACTIVE_THS register .....	27
Table 53.ACTIVE_THS register description .....	27
Table 54.Accelerated Life Tests .....	31
Table 55.Component Level Tests .....	31
Table 56.Document revision history .....	32

## List of figures

<b>Figure 1 Block Diagram</b> .....	7
<b>Figure 2 Pin description</b> .....	7
<b>Figure 3 I2C Slave timing diagram</b> .....	11
<b>Figure 4 I2C Protocol</b> .....	12
<b>Figure 5 power mode</b> .....	14
<b>Figure 6 Interrupt mode</b> .....	16
<b>Figure 7 da215 I2C electrical connect</b> .....	18
<b>Figure 8 12 Pin LGA Mechanical data and package dimensions</b> .....	28
<b>Figure 9 landing patterns; dimensions in mm</b> .....	29
<b>Figure 10 Tape and reel dimension in mm</b> .....	30

# 1. Block diagram and pin description

## 1.1. Block diagram

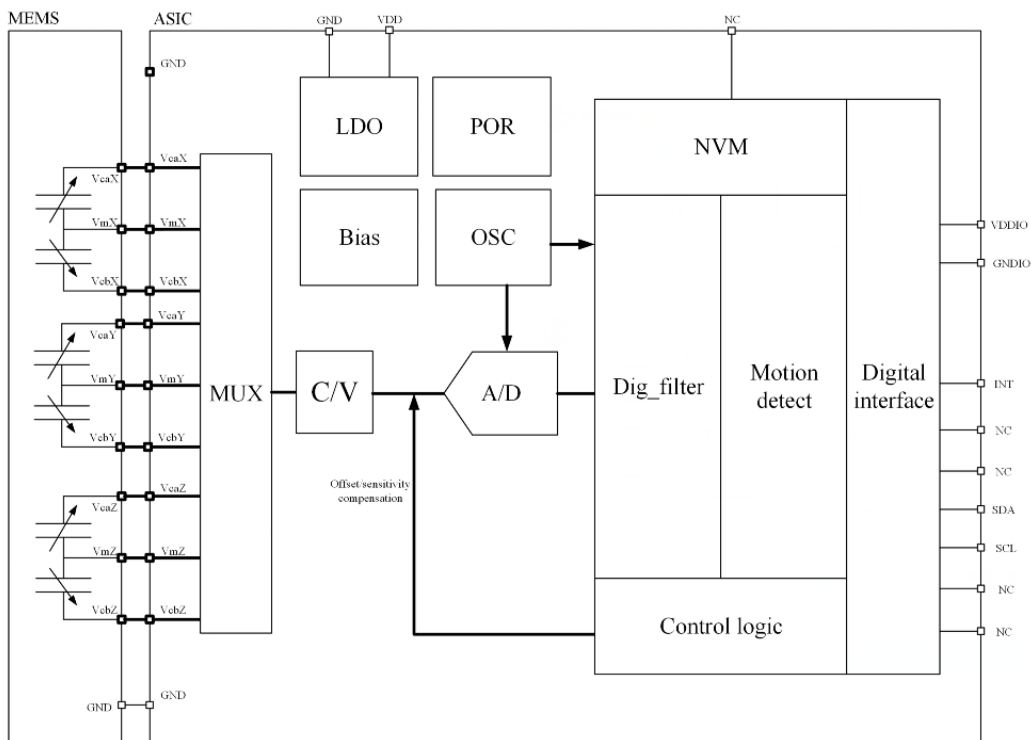


Figure 1 Block Diagram

## 1.2. Pin description

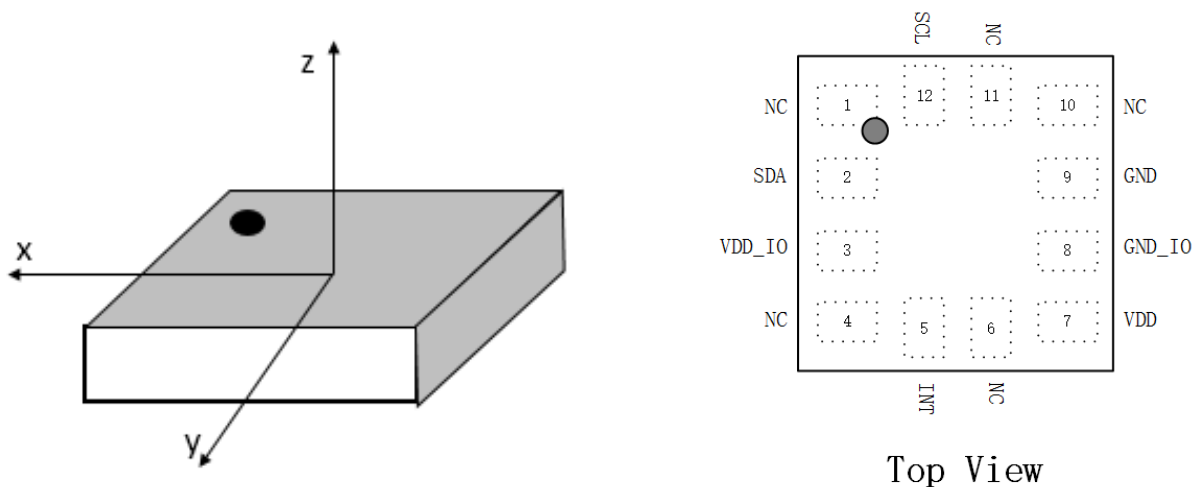


Figure 2 Pin description

**Table 1.Pin description**

Pin#	Name	I/O Type	Function
1	NC	--	NO internal connection
2	SDA	Digital I/O	I2C serial data input/output(SDA)
3	VDD_IO	Supply	Power supply for I/O pins
4	NC	--	NO internal connection
5	INT	Digital out	Interrupt pin
6	NC	--	NO internal connection
7	VDD	Supply	Power supply
8	GND_IO	Ground	Ground supply for I/O pins
9	GND	Ground	Ground supply
10	NC	--	NO internal connection
11	NC	--	NO internal connection
12	SCL	Digital in	I2C serial clock

**NOTE:** NC- NO internal connection



## 2. Mechanical and electrical specifications

### 2.1. Mechanical characteristics

VDD = 2.5 V, T = 25 °C unless otherwise noted.

**Table 2. Mechanical characteristic**

Symbol	Parameter	Test conditions	Min	Type	Max	Unit
FS	Measurement range	FS bit set to 00		±2		g
		FS bit set to 01		±4		g
		FS bit set to 10		±8		g
		FS bit set to 11		±16		g
So	Sensitivity	FS bit set to 00		4096		LSB/g
		FS bit set to 01		2048		LSB/g
		FS bit set to 10		1024		LSB/g
		FS bit set to 11		512		LSB/g
TCSO	Sensitivity change vs. temperature	FS bit set to 00		±0.01		%/°C
Tyoff	Typical zero-g level offset accuracy			±70		mg
Tcoff	Zero-g level change vs. temperature	Max delta from 25 °C		±0.6		mg/°C
Noise	XYZ RMS noise	FS bit set to 00, normal mode, BW = 100Hz		1.5		mg
Top	Operation temperature range		-40		85	°C

## 2.2. Electrical characteristics

Vdd = 2.5 V, T = 25 °C unless otherwise noted

**Table 3. Electrical characteristics**

Symbol	Parameter	Test conditions	Min	Typ.	Max	Unit
VDD	Supply voltage		1.62	2.5	3.6	V
VDD_IO	I/O Pins supply voltage		1.62		VDD	V
IDD	current consumption in normal mode	Top=25°C, ODR=125Hz		95		uA
IDD_SM	current consumption in suspend mode	Top=25°C		0.7		uA
TVDD	VDD&VDDIO power up time				100	ms
VIH	Digital high level input voltage	I2C	0.7*Vdd_IO			V
VIL	Digital low level input voltage	I2C			0.3*Vdd_IO	V
VOH	high level output voltage		0.9*Vdd_IO			V
VOL	Low level output voltage				0.1*Vdd_IO	V
BW	System bandwidth		100		500	Hz
ODR	Output data rate		1		1000	Hz
TWU	Wake-up time	From stand-by		1		ms
TSU	Start-up time	From power off		3		ms
PSRR	Power Supply Rejection Rate	Top=25°C			20	mg/V

## 2.3. Absolute maximum ratings

Stresses below those listed as “absolute maximum ratings” may cause permanent damage to the device. This is a stress rating only and functional operation of the device under these conditions is not implied. Exposure to maximum rating conditions for extended periods may affect device reliability.

**Table 4. Absolute maximum ratings**

Parameter	Test conditions	Min	Max	Unit
Storage Temperature		-45	125	°C
Supply Voltage VDD	Supply pins	-0.3	4.25	V
Supply Voltage VDD_IO	Logic pins	-0.3	Vdd_IO+0.3	V
ESD Rating	HMB,R=1.5k,C=100pF		±2	kV
Mechanical Shock	Duration<200us		10,000	g

*Note:* Supply voltage on any pin should never exceed 4.25V



This is a mechanical shock sensitive device, improper handling can cause permanent damages to the part.



This is an ESD sensitive device, improper handling can cause permanent damages to the part.

### 3. Communication interface

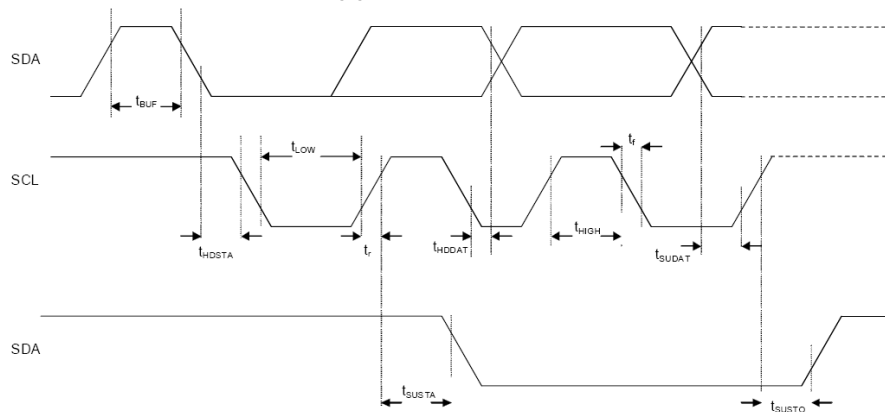
#### 3.1. Communication interface Electrical specification

##### 3.1.1. I2C Electrical specification

**Table 5.**Electrical specification of the I2C interface pins

Symbol	Parameter	Min	Max	Unit
f <sub>scl</sub>	Clock frequency		400	kHz
t <sub>LOW</sub>	SCL low pulse	1.3		us
t <sub>HIGH</sub>	SCL high pulse	0.6		us
t <sub>SUDAT</sub>	SDA setup time	0.1		us
t <sub>HDDAT</sub>	SDA hold time	0.0		us
t <sub>SUSTA</sub>	Setup Time for a repeated start condition	0.6		us
t <sub>HDSTA</sub>	Hold time for a start condition	0.6		us
t <sub>SUSTO</sub>	Setup Time for a stop condition	0.6		us
t <sub>BUF</sub>	Time before a new transmission can start	1.3		us

The figure below shows the definition of the I2C timing given in the above table:



**Figure 3** I2C Slave timing diagram

## 3.2. Digital interface operation

The da215 supports the serial digital interface protocols for communications as slave with a host device: I2C. The interface pin is given in the following table:

**Table 6. The interface pins**

PIN name	I2C
SCL	Serial clock
SDA	Serial Data

### 3.2.1. I2C Operation

I2C bus uses SCL and SDA as signal lines. Both lines are connected to VDDIO externally via pull-up resistors so that they are pulled high when the bus is free. The I2C device address of da215 is shown below.

**Table 7. I2C Address**

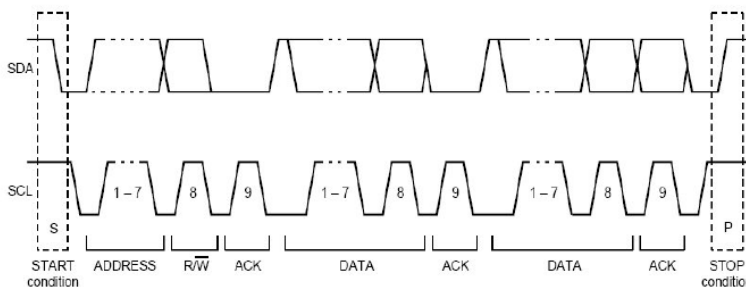
SAD6	SAD5	SAD4	SAD3	SAD2	SAD1	SAD0	W/R
0	1	0	0	1	1	1	0/1

**Table 8. SAD+Read/Write patterns**

Command	SAD[6:0]	R/W	SAD+R/W
Read	01001111(27h)	1	01001111(4fh)
Write	01001111(27h)	0	01001110(4eh)

The I2C interface protocol has special bus signal conditions. Start (S), stop (P) and binary data conditions are shown below. At start condition, SCL is high and SDA has a falling edge. Then the slave address is sent. After the 7 address bits, the direction control bit R/W selects the read or write operation. When a slave device recognizes that it is being addressed, it should acknowledge by pulling SDA low in the ninth SCL (ACK) cycle.

At stop condition, SCL is also high, but SDA has a rising edge. Data must be held stable at SDA when SCL is high. Data can change value at SDA only when SCL is low.



**Figure 4 I2C Protocol**

**Table 9. Transfer when master is writing one byte to slave**

Master	S	SAD+W		SUB		DATA		P
Slave			SAK		SAK		SAK	

**Table 10. Transfer when master is writing multiple bytes to slave**

Master	S	SAD+W		SUB		DATA		DATA		P
Slave			SAK		SAK		SAK		SAK	

**Table 11. Transfer when master is receiving (reading) one byte of data from slave**

Master	S	SAD+W		SUB		SR	SAD+R			NMASK	P
Slave			SAK		SAK			SAK	DATA		

**Table 12. Transfer when master is receiving (reading) multiple bytes of data from slave**

Master	S	SAD+W		SUB		SR	SAD+R			MAK		MAK		NMASK	P
Slave			SAK		SAK			SAK	DATA		DATA		DATA		

**Note:**

Symbol	Symbol explain	Symbol	Symbol explain
SAD	slave address	SAK	slave acknowledge
W	write	MAK	master acknowledge
R	read	NMASK	no master acknowledge
S	start	SUB	Sub-address(register address)
P	stop	DATA	Read or write data
SR	start		

## 4. Terminology and functionality

### 4.1. Terminology

#### 4.1.1. Sensitivity

Sensitivity describes the gain of the sensor and can be determined e.g. by applying 1 g acceleration to it. As the sensor can measure DC accelerations this can be done easily by pointing the axis of interest towards the center of the earth, noting the output value, rotating the sensor by 180 degrees (pointing to the sky) and noting the output value again. By doing so,  $\pm 1$  g acceleration is applied to the sensor. Subtract the larger output value from the smaller one, and dividing the result by 2, leads to the actual sensitivity of the sensor. This value changes very little over temperature and also time. The sensitivity tolerance describes the range of sensitivities of a large population of sensors.

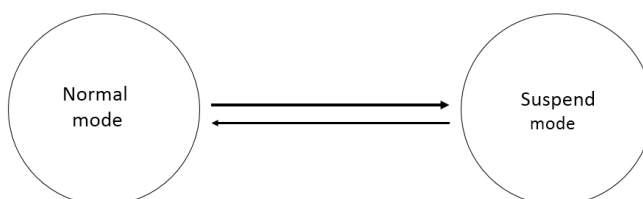
#### 4.1.2. Zero-g level

Zero-g level offset (TyOff) describes the deviation of an actual output signal from the ideal output signal if no acceleration is present. A sensor in a steady state on a horizontal surface measure 0 g in X axis and 0 g in Y axis whereas the Z axis measure 1 g. The output is ideally in the middle of the dynamic range of the sensor (content of output data registers are 00h, data expressed as 2's complement number). A deviation from ideal value in this case is called Zero-g offset. Offset is to some extent a result of stress to MEMS sensor and therefore the offset can slightly change after mounting the sensor onto a printed circuit board or exposing it to extensive mechanical stress. Offset changes little over temperature; see "Zero-g level change vs. temperature". The Zero-g level tolerance (TyOff) describes the standard deviation of the range of Zero-g levels of a population of sensors.

## 4.2. Functionality

### 4.2.1. Power mode

The da215 has two different power modes: normal and suspend mode.



**Figure 5 power mode**

In the normal mode, the device is periodically switching between a sleep phase and a wake-up phase. The wake-up phase essentially corresponding to operation in measure state with complete power-up of the circuitry at the current setting ODR when "autosleep\_en" bit of "MODE\_BW" (11H) register is set to 0, but "autosleep\_en" bit is set to 1, the measure state works at 12.5hz in inactive state and auto

switched to operation mode during active state. During the sleep phase the analog part except the oscillator is powered down.

During the wake-up phase, if an enabled interrupt is detected, the device stays in the wake-up phase as long as the interrupt condition endures (non-latched interrupt), or until the latch time expires (temporary latched interrupt), or until the interrupt is reset (latched interrupt). If no interrupt detected, the device enters the sleep phase.

Suspend mode: power-down mode.

## 4.2.2.Sensor data

The width of acceleration data is 14bits given in two's complement representation. The 14bits for each axis are split into an MSB part (one byte containing bits 13 to 6) and an LSB lower part (one byte containing bits 5 to 0)

## 4.2.3.Factory calibration

The IC is factory calibrated for sensitivity ( $S_0$ ) and Zero-g level ( $TyOff$ ). The trimming values are stored inside the chip's nonvolatile memory. The trimming parameters are loaded to registers while da215 reset (POR or software reset). This allows using the device without further calibration.

## 4.3.Interrupt controller

Interrupt engines are integrated in the da215. Each interrupt can be independently enabled and configured. If the condition of an enabled interrupt is fulfilled, the corresponding status bit is set to 1 and the interrupt pin is activated. The pin state is a logic 'or' combination of all mapped interrupts to the interrupt pin.

### 4.3.1.General features

An interrupt is cleared depending on the selected interrupt mode, which is common to all interrupts. There are three different interrupt modes: non-latched, latched and temporary. The mode is selected by the 'latch\_int' bits according to the following table.

**Table 13.Interrupt mode selection**

latch_INT	Interrupt mode
0000	non-latched
0001	temporary latched 250ms
0010	temporary latched 500ms
0011	temporary latched 1s
0100	temporary latched 2s
0101	temporary latched 4s
0110	temporary latched 8s
0111	latched
1000	non-latched

1001	temporary latched 1ms
1010	temporary latched 1ms
1011	temporary latched 2ms
1100	temporary latched 25ms
1101	temporary latched 50ms
1110	temporary latched 100ms
1111	latched

An interrupt is generated if its activation condition is met. It can't be cleared as long as the activation condition is fulfilled. In the non-latched mode the interrupt status bit and the interrupt pin are cleared as soon as the activation condition is no more valid. Exceptions to this behavior are the new data which is automatically reset after a fixed time.

In the latched mode an asserted interrupt status and the interrupt pin are cleared by writing 1 to (0x20) 'reset\_int' bit. If the activation condition still holds when it is cleared, the interrupt status is asserted again with the next change of the acceleration registers.

In the temporary mode an asserted interrupt and selected pin are cleared after a defined period of time. The behavior of the different interrupt modes is shown in the following figure.

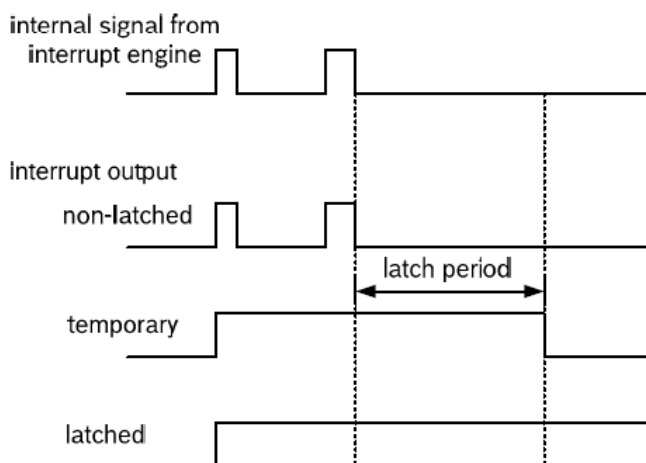


Figure 6 Interrupt mode

### 4.3.2.Mapping

The mapping of interrupts to the interrupt pins is done by registers 'INT\_MAP' (0x19 and 0x1a), setting *INT\_inttype* (e.g. INT\_active) to 1 can map this type of interrupt to the interrupt pin.

### 4.3.3.Electrical behavior (INT to open-drive or push-pull)

The interrupt pin can be configured to show desired electrical behavior. The active level for each pin is set by register bit INT\_lvl, if INT\_lvl = 0 (1), then the pin INT is 0 (1) active.

Also the electric type of the interrupt pin can be selected. By setting INT\_od = 1 (0), the interrupt pin output type can be set to be open-drive (push-pull).



### 4.3.4. New data interrupt

This interrupt serves for synchronous reading of acceleration data. It is generated after an acceleration data was calculated. The interrupt is cleared automatically before the next acceleration data is ready.

### 4.3.5. Active detection

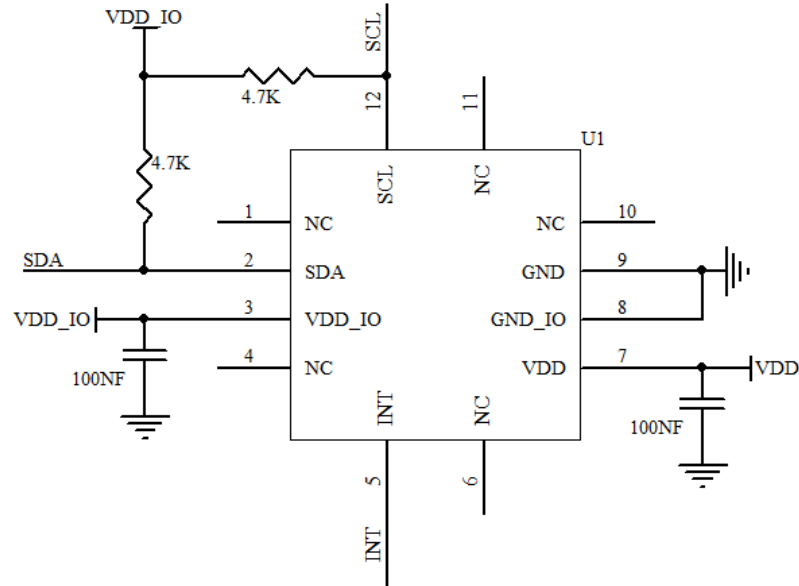
Active detection uses the slope between successive acceleration signals to detect changes in motion. An interrupt is generated when the slope (absolute value of acceleration difference) exceeds a preset threshold. The threshold is set with the value of 28H register with the LSB corresponding to 255LSB of acceleration data that is 3.9mg in 2g-range, 7.8mg in 4g-range, 15.6mg in 8g-range and 31.3mg in 16g-range. And the maximum value is 1g in 2g-range, 2g in 4g-range, 4g in 8g-range and 8g in 16g-range.

The time difference between the successive acceleration signals depends is fixed to 1ms.

Active detection can be enabled (disabled) for each axis separately by writing '1' to bits 'active\_int\_en\_x/y/z'. The active interrupt is generated if the slope of any of the enabled axes exceeds the threshold for ['active\_dur'+1] consecutive times. As soon as the slopes of all enabled axes fall below this threshold for ['active\_dur'+1] consecutive times, the interrupt is cleared unless the interrupt signal is latched.

The interrupt status is stored in the (0x09) 'active\_int' bit. The (0x0b) bit 'active\_first\_x/y/z' records which axis triggered the active interrupt first and the sign of this acceleration data that triggered the interrupt is recorded in the (0x0b) bit 'active\_sign'.

## 5. Application hints



**Figure 7 da215 I2C electrical connect**

The device core is supplied through VDD line while the I/O pads are supplied through VDD\_IO line. Power supply decoupling capacitors (100 nF ceramic) should be placed as near as possible to the pin 7 and pin 3 of the device (common design practice).

The functionality of the device and the measured acceleration data is selectable and accessible through the I2C. The functions, the threshold and the timing of the interrupt pin (INT) can be completely programmed by the user through the I2C interface.

## 6. Register mapping

The table given below provides a listing of the 8 bit registers embedded in the device and the related addresses:

**Table 14. Register address map**

Name	Type	Register address	Default	Soft Reset
CONFIG	RW	0x00	00H	NO
CHIPID	R	0x01	13H	NO
ACC_X_LSB	R	0x02	00H	YES
ACC_X_MSB	R	0x03	00H	YES
ACC_Y_LSB	R	0x04	00H	YES
ACC_Y_MSB	R	0x05	00H	YES
ACC_Z_LSB	R	0x06	00H	YES
ACC_Z_MSB	R	0x07	00H	YES
MOTION_FLAG	R	0x09	00H	YES
NEWDATA_FLAG	R	0x0A	00H	YES
ACTIVE_STATUS	R	0x0B	00H	YES
RANGE	RW	0x0F	40H	YES
ODR_AXIS	RW	0x10	0FH	YES
MODE_BW	RW	0x11	9EH	YES
SWAP_POLARITY	RW	0x12	0EH	YES
INT_SET1	RW	0x16	00H	YES
INT_SET2	RW	0x17	00H	YES
INT_MAP1	RW	0x19	00H	YES
INT_MAP2	RW	0x1A	00H	YES
INT_CONFIG	RW	0x20	01H	YES
INT_LATCH	RW	0x21	00H	YES
ACTIVE_DUR	RW	0x27	00H	YES
ACTIVE_THS	RW	0x28	14H	YES

# 7. Registers description

## 7.1. CONFIG (00H)

**Table 15.CONFIG register**

Default data: 0x00 Type: RW

unused	unused	Soft Reset	unused	unused	Soft Reset	unused	unused
--------	--------	------------	--------	--------	------------	--------	--------

**Table 16.CONFIG description**

Soft Reset	1: soft reset
------------	---------------

## 7.2. CHIPID (01h)

**Table 17.CHIPID register**

Default data: 0x13 Type: R

0	0	0	1	0	0	1	1
---	---	---	---	---	---	---	---

## 7.3.ACC\_X\_LSB (02H), ACC\_X\_MSB (03H)

X-axis acceleration data, the value is expressed in two complement byte and are left justified.

**Table 18.ACC\_X\_LSB register**

Default data: 0x00 Type: R

D[5]	D[4]	D[3]	D[2]	D[1]	D[0]	Unused	Unused
------	------	------	------	------	------	--------	--------

**Table 19.ACC\_X\_MSB register**

Default data: 0x00 Type: R

D[13]	D[12]	D[11]	D[10]	D[9]	D[8]	D[7]	D[6]
-------	-------	-------	-------	------	------	------	------

## 7.4.ACC\_Y\_LSB (04H), ACC\_Y\_MSB (05H)

Y-axis acceleration data, the value is expressed in two complement byte and are left justified.

**Table 20.ACC\_Y\_LSB register**

Default data: 0x00 Type: R

D[5]	D[4]	D[3]	D[2]	D[1]	D[0]	Unused	Unused
------	------	------	------	------	------	--------	--------

**Table 21.ACC\_Y\_MSB register**

Default data: 0x00 Type: R

D[13]	D[12]	D[11]	D[10]	D[9]	D[8]	D[7]	D[6]
-------	-------	-------	-------	------	------	------	------

## 7.5.ACC\_Z\_LSB (06H), ACC\_Z\_MSB (07H)

Z-axis acceleration data, the value is expressed in two complement byte and are left justified.

**Table 22.ACC\_Z\_LSB register**

Default data: 0x00 Type: R

D[5]	D[4]	D[3]	D[2]	D[1]	D[0]	Unused	Unused
------	------	------	------	------	------	--------	--------

**Table 23.ACC\_Z\_MSB register**

Default data: 0x00 Type: R

D[13]	D[12]	D[11]	D[10]	D[9]	D[8]	D[7]	D[6]
-------	-------	-------	-------	------	------	------	------

## 7.6.MOTION\_FLAG (09H)

**Table 24.MOTION\_FLAG register**

Default data: 0x00 Type: R

unused	unused	unused	unused	unused	active_int	unused	unused
--------	--------	--------	--------	--------	------------	--------	--------

**Table 25.MOTION\_FLAG register description**

active_int	0:no active interrupt 1: active interrupt has occurred
------------	---

## 7.7. NEWDATA\_FLAG (0AH)

**Table 26. NEWDATA\_FLAG register**

Default data: 0x00 Type: R

unused	unused	unused	unused	unused	unused	unused	new_data_int
--------	--------	--------	--------	--------	--------	--------	--------------

**Table 27. NEWDATA\_FLAG register description**

new_data_int	0: no new_data interrupt 1: new_data interrupt has occurred
--------------	--

## 7.8. ACTIVE\_STATUS (0BH)

**Table 28. ACTIVE\_STATUS register**

Default data: 0x00 Type: R

unused	unused	unused	unused	active_sign	active_first_x	active_first_y	active_first_z
--------	--------	--------	--------	-------------	----------------	----------------	----------------

**Table 29. ACTIVE\_STATUS register description**

active_sign	active_sign: Sign of the 1st active interrupt. 0: positive, 1: negative
active_first_x	0: X is not the triggering axis of the active interrupt 1: indicate X is the triggering axis of the active interrupt.
active_first_y	0: Y is not the triggering axis of the active interrupt 1: indicate Y is the triggering axis of the active interrupt.
active_first_z	0: Z is not the triggering axis of the active interrupt 1: indicate Z is the triggering axis of the active interrupt.

## 7.9. RANGE (0FH)

**Table 30. RANGE register**

Default data: 0x40 Type: RW

unused	unused	unused	unused	unused	unused	fs[1]	fs[0]
--------	--------	--------	--------	--------	--------	-------	-------

**Table 31. RANGE register description**

fs[1:0]	full scale 00: +/-2g 01: +/-4g 10: +/-8g 11: +/-16g
---------	---

## 7.10. ODR\_AXIS (10H)

**Table 32.ODR\_AXIS register**

Default data: 0x0F Type: RW

unused	unused	unused	unused	ODR[3]	ODR[2]	ODR[1]	ODR[0]
--------	--------	--------	--------	--------	--------	--------	--------

**Table 33.ODR\_AXIS register description**

ODR[3:0]	0000: 1Hz
	0001: 1.95Hz
	0010: 3.9Hz
	0011: 7.81Hz
	0100: 15.63Hz
	0101: 31.25Hz
	0110: 62.5Hz
	0111: 125Hz
	1000: 250Hz
	1001: 500Hz
	1010-1111: 1000Hz

## 7.11. MODE\_BW (11H)

**Table 34.MODE\_BW register**

Default data: 0x9E Type: RW

PWR_OFF	unused	unused	unused	unused	BW[1]	BW[0]	autosleep_en
---------	--------	--------	--------	--------	-------	-------	--------------

**Table 35.MODE\_BW register description**

PWR_OFF	0: normal mode 1: suspend mode
BW[1:0]	Bandwidth 00/11:500hz 01:250 10:100
autosleep_en	0: working the current ODR state all the way 1: Working at 12.5hz in inactive state, automatic switched to normal mode during active state

## 7.12. SWAP\_POLARITY (12H)

**Table 36.SWAP\_POLARITY register**

Default data: 0x0E Type: RW

Swap & Polarity register is OTP register too, OTP address: 0x13

unused	unused	unused	unused	X_polarity	Y_polarity	Z_polarity	X_Y_swap
--------	--------	--------	--------	------------	------------	------------	----------

**Table 37.SWAP\_POLARITY register description**

X_polarity	0: remain the polarity of X-axis. 1: reverse the polarity of X-axis.
Y_polarity	0: remain the polarity of Y-axis. 1: reverse the polarity of Y-axis.
Z_polarity	0: remain the polarity of Z-axis. 1: reverse the polarity of Z-axis.
X_Y_swap	0: Don't need swap the output data for X/Y axis 1: swap the output data for X/Y axis.

## 7.13. INT\_SET1 (16H)

**Table 38.INT\_SET1 register**

Default data: 0x00 Type: RW

INT_source	unused	unused	unused	unused	active_int_en_z	active_int_en_y	active_int_en_x
------------	--------	--------	--------	--------	-----------------	-----------------	-----------------

**Table 39.INT\_SET1 register description**

INT_source	0:unfiltered data 1:filtered data(ODR)
active_int_en_z	0: disable the active interrupt for the z axis. 1: enable the active interrupt for the z axis.
active_int_en_y	0: disable the active interrupt for the y axis. 1: enable the active interrupt for the y axis.
active_int_en_x	0: disable the active interrupt for the x axis. 1: enable the active interrupt for the x axis.



## 7.14. INT\_SET2 (17H)

**Table 40.INT\_SET2 register**

Default data: 0x00 Type: RW

unused	unused	unused	new_data_int_en	unused	unused	unused	unused
--------	--------	--------	-----------------	--------	--------	--------	--------

**Table 41.INT\_SET2 register description**

new_data_int_en	0: disable the new data interrupt. 1: enable the new data interrupt.
-----------------	---

## 7.15. INT\_MAP1 (19H)

**Table 42.INT\_MAP1 register**

Default data: 0x00 Type: RW

unused	unused	unused	unused	unused	INT_active	unused	unused
--------	--------	--------	--------	--------	------------	--------	--------

**Table 43.INT\_MAP1 register description**

INT_active	0: doesn't mapping active interrupt to INT 1: mapping active interrupt to INT
------------	--

## 7.16. INT\_MAP2 (1AH)

**Table 44.INT\_MAP2 register**

Default data: 0x00 Type: RW

unused	unused	unused	unused	unused	unused	unused	unused	INT_new_data
--------	--------	--------	--------	--------	--------	--------	--------	--------------

**Table 45.INT\_MAP2 register description**

INT_new_data	0: doesn't mapping new data interrupt to INT 1: mapping new data interrupt to INT
--------------	--

## 7.17. INT\_CONFIG (20H)

**Table 46.INT\_CONFIG register**

Default data: 0x01 Type: RW

Reset_int	unused	unused	unused	unused	unused	INT_od	INT_lvl
-----------	--------	--------	--------	--------	--------	--------	---------

**Table 47.INT\_CONFIG register description**

Reset_int	Write '1' to reset all latched int.
INT_od	0: select push-pull output for INT 1: selects OD output for INT
INT_lvl	0: selects active level low for pin INT 1: selects active level high for pin INT

## 7.18. INT\_LATCH (21H)

**Table 48.INT\_LATCH register**

Default data: 0x00 Type: RW

unused	unused	unused	unused	latch_INT[3]	latch_INT[2]	latch_INT[1]	latch_INT[0]
--------	--------	--------	--------	--------------	--------------	--------------	--------------

**Table 49.INT\_LATCH register description**

latch_INT[3:0]	0000: non-latched 0001: temporary latched 250ms 0010: temporary latched 500ms 0011: temporary latched 1s 0100: temporary latched 2s 0101: temporary latched 4s 0110: temporary latched 8s 0111: latched 1000: non-latched 1001: temporary latched 1ms 1010: temporary latched 1ms 1011: temporary latched 2ms 1100: temporary latched 25ms 1101: temporary latched 50ms 1110: temporary latched 100ms 1111: latched
----------------	--

## 7.19. ACTIVE\_DUR (27H)

**Table 50.ACTIVE\_DUR register**

Default data: 0x00 Type: RW

inactive_dur[3]	inactive_dur[2]	inactive_dur[1]	inactive_dur[0]	active_dur[3]	active_dur[2]	active_dur[1]	active_dur[0]
-----------------	-----------------	-----------------	-----------------	---------------	---------------	---------------	---------------

**Table 51.ACTIVE\_DUR register description**

inactive_dur[4:0]	inactive duration time = (inactive_dur + 1)* ODR_period
active_dur[4:0]	active duration time = (active_dur + 1)* ODR_period

## 7.20. ACTIVE\_THS (28H)

**Table 52.ACTIVE\_THS register**

Default data: 0x14 Type: RW

active_th[7]	active_th [6]	active_th [5]	active_th[4]	active_th [3]	active_th [2]	active_th [1]	active_th [0]
--------------	---------------	---------------	--------------	---------------	---------------	---------------	---------------

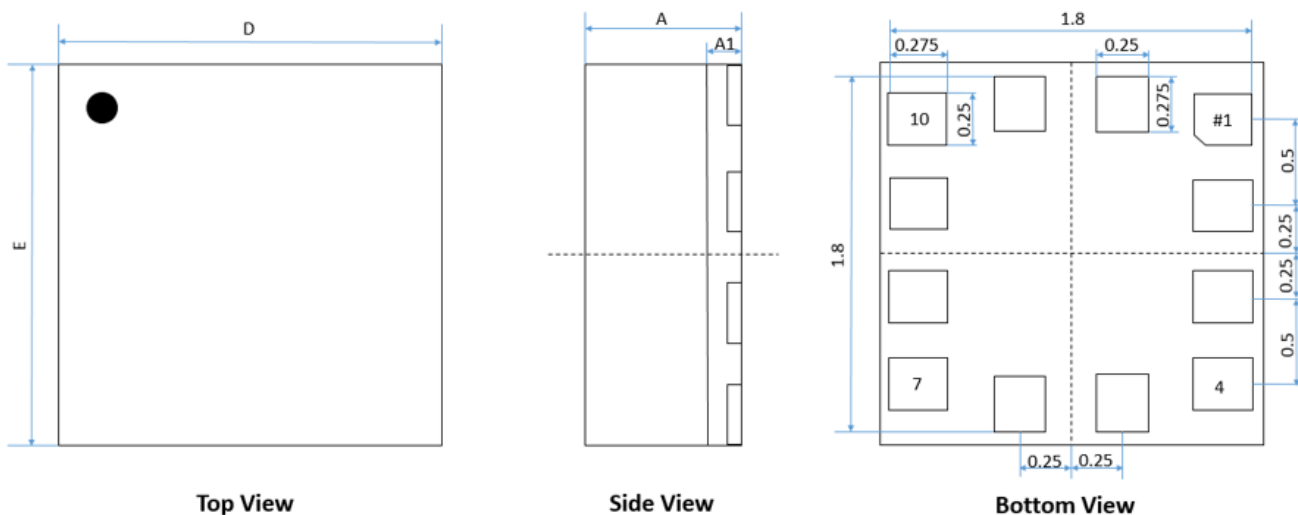
**Table 53.ACTIVE\_THS register description**

active_th[7:0]	Threshold of active interrupt=active_th*K(mg) K = 3.91(2g range), K =7.81(4g range), K=15.625(8g range), K=31.25(16g range).
----------------	--

# 8. Package information

## 8.1. Outline dimensions

The sensor housing is a standard LGA package. Its dimensions are the following:



COMMON DIMENSIONS(MM)			
PKG.	W:VERYVERY THIN		
REF.	MIN.	NOM.	MAX
A	0.82	0.9	0.98
A1(SUBSTRATE)	200 REF.		
D	1.9	2	2.1
E	1.9	2	2.1

Figure 8 12 Pin LGA Mechanical data and package dimensions

## 8.2. Landing pattern recommendation

For the design of the landing patterns, we recommend the following dimensioning:

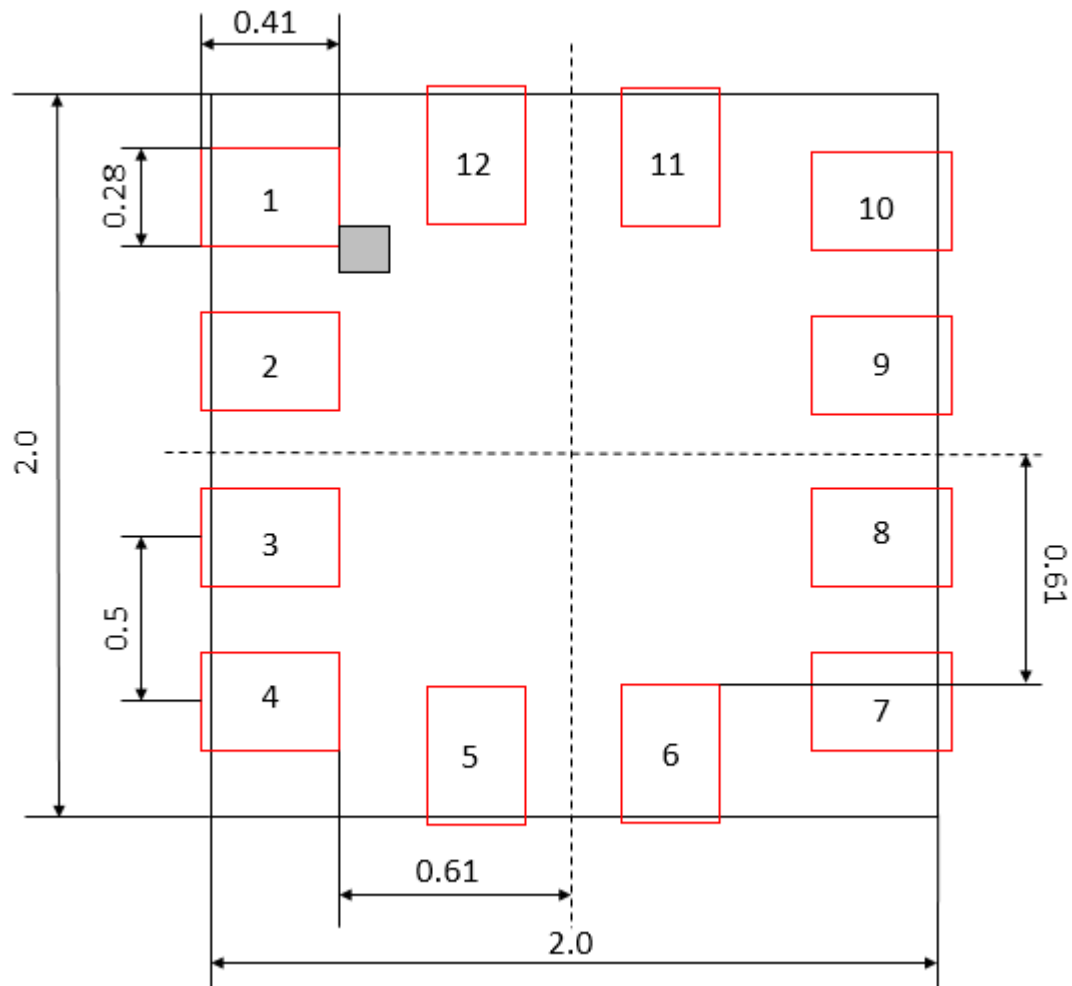


Figure 9 landing patterns; dimensions in mm

### 8.3. Tape and reel specification

The da215 is shipped in a standard pizza box

The box dimension for 1 reel is: L x W x H = 35cm x 35cm x 5cm

da215 quantity: 5000pcs per reel, please handle with care.

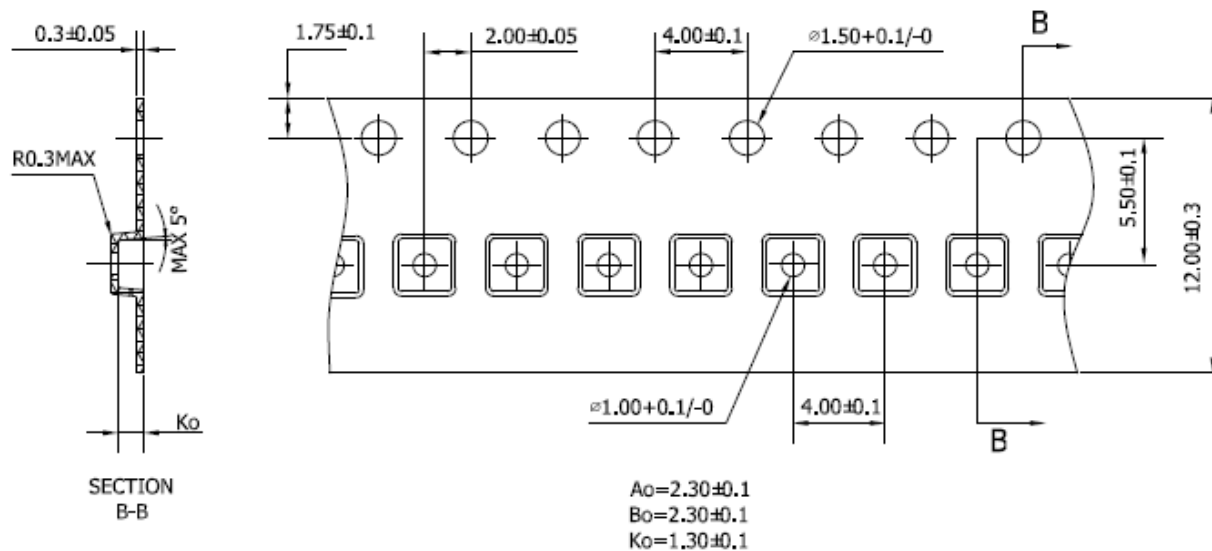


Figure 10 Tape and reel dimension in mm

## 9. Reliability

The qualification condition of MiraMEMS's products is based on the stress test qualification for integrated circuits, JEDEC JESD47H.01 Standard. The test summary is listed below.

**Table 54. Accelerated Life Tests**

Test	Condition	Qty/lot	Lot	Acc/Rej	Result
High Temperature Storage (HTS)*	150C, 1000hrs JEDEC JESD22-A103D Condition A	77	3	0/1	PASS
High Temperature Operating Life Test (HTOL)*	125C, 1000hrs, 3.63V biased JEDEC JESD22-A108D	77	3	0/1	PASS
Highly Accelerated Stress Test (uHAST)*	130C/85%, 96hrs JEDEC JESD22-A118A Condition A	77	3	0/1	PASS

\*Tests are preceded by MSL3 preconditioning in accordance with JEDEC JESD22-A113F

**Table 55. Component Level Tests**

Test	Condition	Qty/lot	Lot	Acc/Rej	Result
Preconditioning(MSL3)	24hrs HTSL (125C) ->192Hrs WHTSL (30C/60%RH) + 3x PbFree Reflow, 260C max JEDEC JESD22-A113F	77	3	0/1	PASS
Temperature Cycle*	-40C~85C (air to air) 500 cycles JEDEC JESD22-A104D Condition N	77	3	0/1	PASS
Shock Test	10000G/0.2ms, X/Y/Z 5 time/ direction JEDEC JESD22-B104C	10	3	0/1	PASS
Vibration Test	sweep 20-2000Hz, 4 times/direction JEDEC JESD22-B103B Condition 1 60Hz_32h/direction	10	2	0/1	PASS
ESD Susceptibility	2000V (HBM) JEDEC JS-001-2012	6	1	0/1	PASS
	200V (MM) JEDEC JESD22-A115C	6	1	0/1	PASS
	500V (CDM) JEDEC JESD22-C101E	6	1	0/1	PASS
Latch-up	>+/-2Vcc, max >+/-2Icc, max JEDEC JESD-78D	6	1	0/1	PASS

\*Tests are preceded by MSL3 preconditioning in accordance with JEDEC JESD22-A113F

## 10. Revision history

**Table 56.Document revision history**

Date	Revision	Changes
23-Sep.-2017	0.1	Initial release
21-Oct.-2017	0.2	1、 modify “Package information” diagram 2、 modify “Registers description”
31-Jan.-2018	0.3	Modify NC pin description